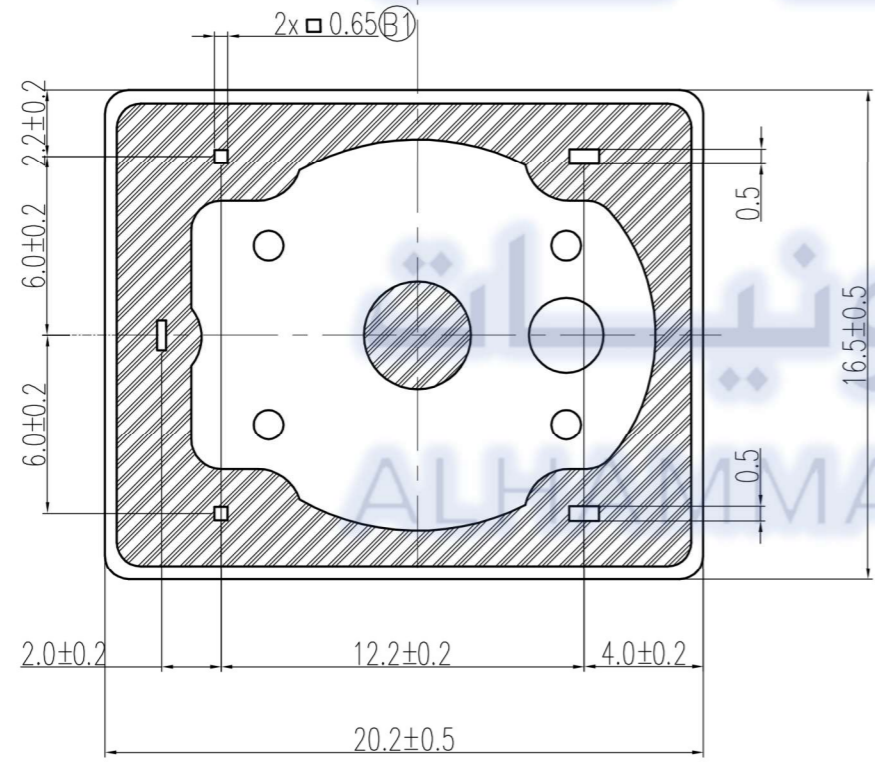
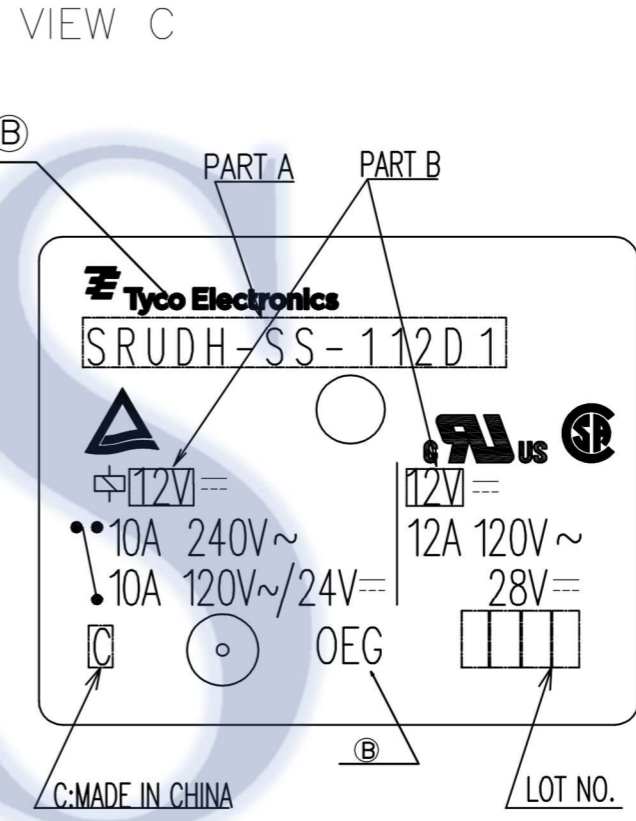
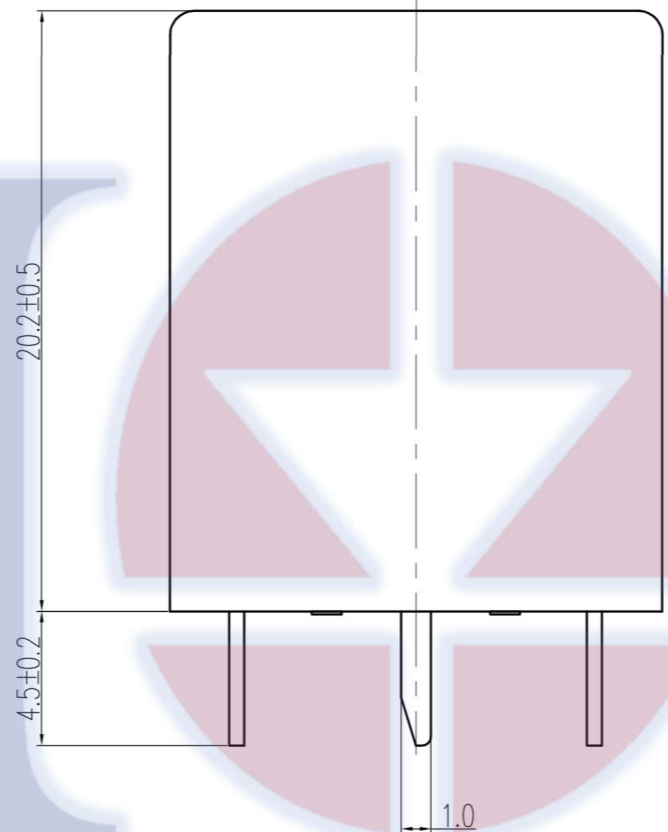
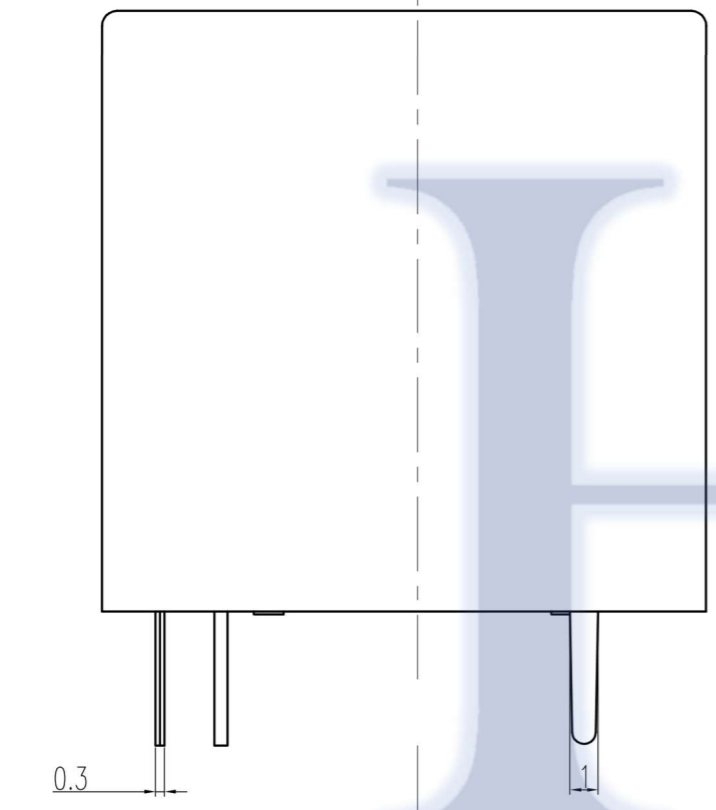


THIS DRAWING IS UNPUBLISHED. RELEASED FOR PUBLICATION  
 © COPYRIGHT BY TYCO ELECTRONICS CORPORATION. ALL RIGHTS RESERVED.

LOC HB	DIST	REVISIONS					
P	LTR	DESCRIPTION	ECO	DATE	DWN	APVD	
	A	RELEASED		07-MAR-06	WJQ	AY	
	B	CHANGE TE LOGO	ECO-08-020474	12-SEP-08	Z,Z	BH,Y	
	B1	ADD NEW TYPE AND MODIFY MISTAKE	ECO-08-030810	16-AUG-09	Z,Z	BH,Y	



GENERAL TOLERANCE

Diagram dimension	Tolerance
0.99mm max.	±0.1mm
1 - 2.99mm	±0.2mm
3mm min.	±0.3mm

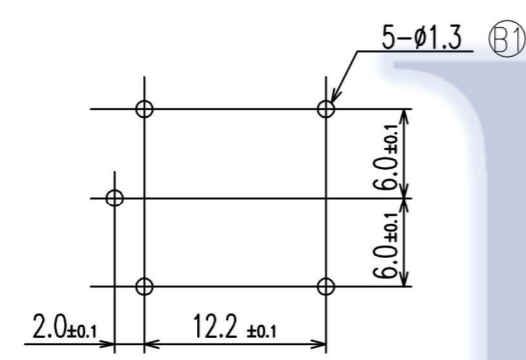
LOT NO. SYSTEM AS FOLLOWING:  
 05/29  
 WEEK  
 YEAR

THIS DRAWING IS A CONTROLLED DOCUMENT FOR TYCO ELECTRONICS CORPORATION IT IS SUBJECT TO CHANGE AND THE CONTROLLING ENGINEERING ORGANIZATION SHOULD BE CONTACTED FOR THE LATEST REVISION.		DWN Wang,Jianqiang	Tyco Electronics Tyco Electronics Corporation ShenZhen, China	
DIMENSIONS: mm		CHK Yip,Anthony	SRUDH-SH-1**D1,000 CUSTOMER DRAWING	
TOLERANCES UNLESS OTHERWISE SPECIFIED:		APVD N,Funayama		
0 PLC ±		PRODUCT SPEC	SIZE A3 GAGE CODE 00079 DRAWING NO 8-1419126-1 RESTRICTED TO	
1 PLC ±		APPLICATION SPEC		
2 PLC ±		WEIGHT	SCALE 4:1 SHEET 1 of 2 REV B1	
3 PLC ±				
4 PLC ±				
MATERIAL SEE MATERIAL TABLE				
FINISH				

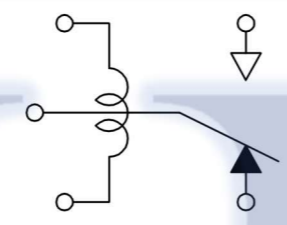
THIS DRAWING IS UNPUBLISHED. RELEASED FOR PUBLICATION  
 © COPYRIGHT BY TYCO ELECTRONICS CORPORATION. ALL RIGHTS RESERVED.

LOC HB	DIST	REVISIONS						
		P	LTR	DESCRIPTION	ECN	DATE	DWN	APVD

PC BOARD LAYOUT(BOTTOM VIEW)



CONNECTION DIAGRAM (BOTTOM VIEW)



RELAY TYPE	TE PART NO	PART A	PART B	TYPE
①	1-1419127-2	SRUDH-SS-112D1	12V	j
①	3-1419127-2	SRUDH-SS-148D1	48V	i
②	2-1419127-3	SRUDH-SS-124D1	24V	h
	9-1419126-4	SRUDH-SH-148D1	48V	g
	1440003-7	SRUDH-SH-124D1	24V	f
	8-1419126-1	SRUDH-SH-112D1	12V	e
	7-1419126-9	SRUDH-SH-109D1	9V	d
	7-1419126-7	SRUDH-SH-106D1	6V	c
	2-1419146-9	SRUDH-SH-105D1	5V	b
	2-1419146-7	SRUDH-SH-103D1	3V	a

ITEM	DESCRIPTION	MATERIAL	TREATMENT	INCOMBUSTIBILITY
14	UV SEAL(FOR SH TYPE)	UV RESIN		
13	SEAL (CASE & BASE)	2212B		
12	MAGNETIC WIRE(48V)	3UEW(φ0.04mm)		
	MAGNETIC WIRE(24V)	3UEW(φ0.05mm)		
	MAGNETIC WIRE(12V)	3UEW(φ0.075mm)		
	MAGNETIC WIRE(09V)	3UEW(φ0.085mm)		
	MAGNETIC WIRE(06V)	3UEW(φ0.10mm)		
	MAGNETIC WIRE(05V)	3UEW(φ0.11mm)		
	MAGNETIC WIRE(03V)	3UEW(φ0.15mm)		
11	COIL TERMINAL	HCP WIRE(0.56mm)		
10	B CONTACT	AgCdO		
9	M CONTACT	AgCdO		
8	MOVABLE CONTACT	AgCdO		
7	B TERMINAL	C2680R-1/2H		
6	M TERMINAL	C2680R-H		
5	MOVABLE SPRING	C5191R-H		
4	BOBBIN	PBT 5010GN6-30	UL94V-0	
3	CORE	CSC C-CH1T or CH1		
2	ARMATURE	SPCC-SB	CuNi PLATING	
1	YOKE	SPCC-SB	CuNi PLATING	

ALHAMMADI FOR ELECTRONICS

THIS DRAWING IS A CONTROLLED DOCUMENT FOR TYCO ELECTRONICS CORPORATION IT IS SUBJECT TO CHANGE AND THE CONTROLLING ENGINEERING ORGANIZATION SHOULD BE CONTACTED FOR THE LATEST REVISION.		DWN Wang,Jianqiang	Tyco Electronics Corporation ShenZhen, China	
DIMENSIONS: mm		CHK Yip,Anthony		
TOLERANCES UNLESS OTHERWISE SPECIFIED: 0 PLC ± 1 PLC ± 2 PLC ± 3 PLC ± 4 PLC ±		APVD N,Funayama	SRUDH-SH-1**D1,000 TYPE CUSTOMER DRAWING	
MATERIAL SEE MATERIAL TABLE		PRODUCT SPEC		
FINISH		APPLICATION SPEC	SIZE A3	GAGE CODE
		WEIGHT	DRAWING NO 8-1419126-1	
			SCALE 4:1	SHEET 2 of 2
			REV B1	