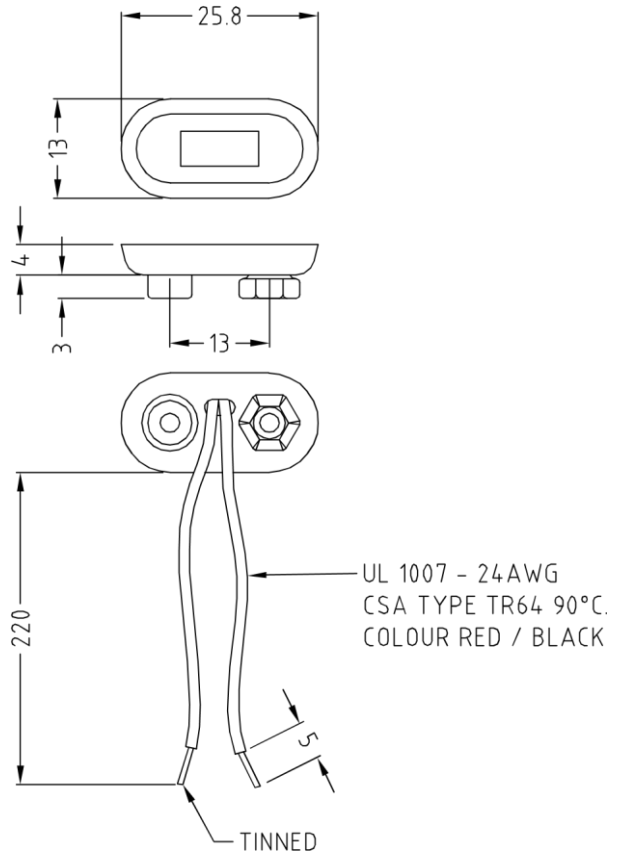


Part No: **FC6830** PP3 Battery Connector 220mm long

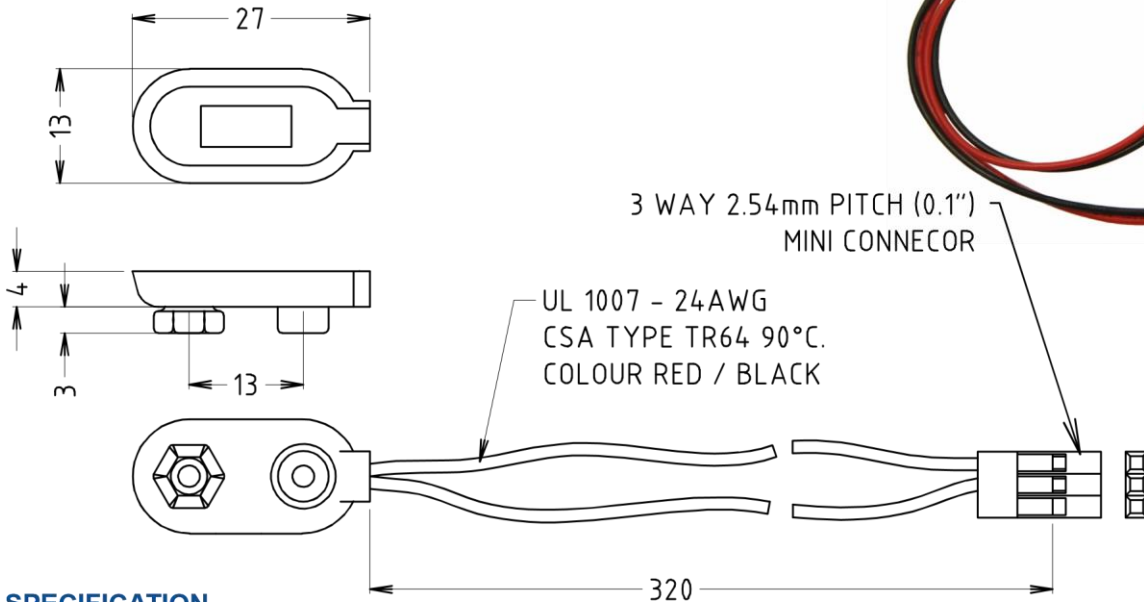
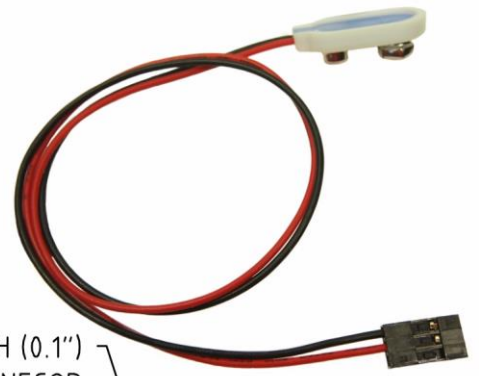
Part No: **FC6831** PP3 Battery Connector 220mm long T-Type



**SPECIFICATION**

CONTACT RESISTANCE <math>< 50\text{m}\Omega</math>  
 LIFE ENDURANCE >1000 PLUG / UNPLUG.  
 OPERATING TEMP.  $-10^{\circ}\text{C} / +50^{\circ}\text{C}$   
 STORAGE TEMP.  $-20^{\circ}\text{C} / +40^{\circ}\text{C}$   
 BREAKDOWN VOLTAGE >100V DC RATED VOLTAGE  
 9V DC  
 SUITABLE FOR PP3 BATTERY.

Part No: **FC68306** PP3 Battery Connector 320mm long to 3 Way Mini Connector



**SPECIFICATION**

CONTACT RESISTANCE <math>< 50\text{m}\Omega</math>  
 LIFE ENDURANCE >1000 PLUG / UNPLUG.  
 OPERATING TEMP.  $-10^{\circ}\text{C} / +50^{\circ}\text{C}$   
 STORAGE TEMP.  $-20^{\circ}\text{C} / +40^{\circ}\text{C}$   
 BREAKDOWN VOLTAGE >100V DC  
 RATED VOLTAGE 9V DC  
 SUITABLE FOR PP3 BATTERY.