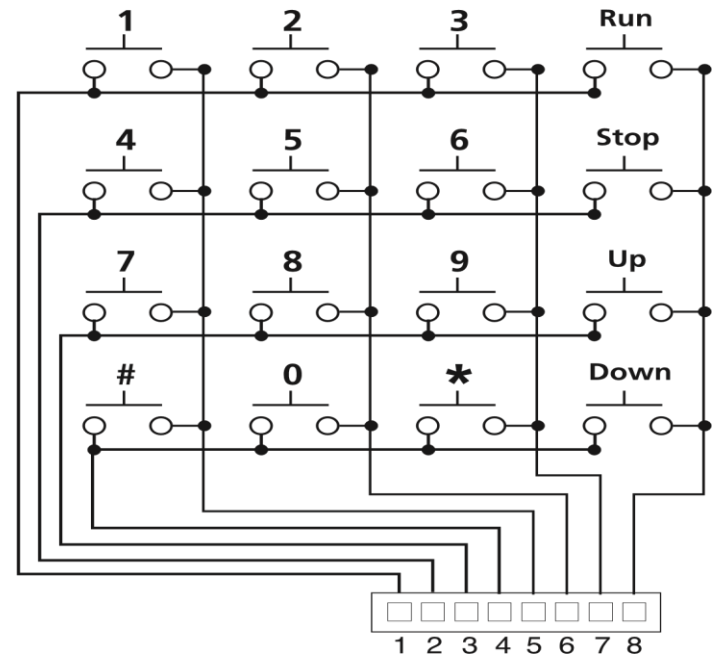
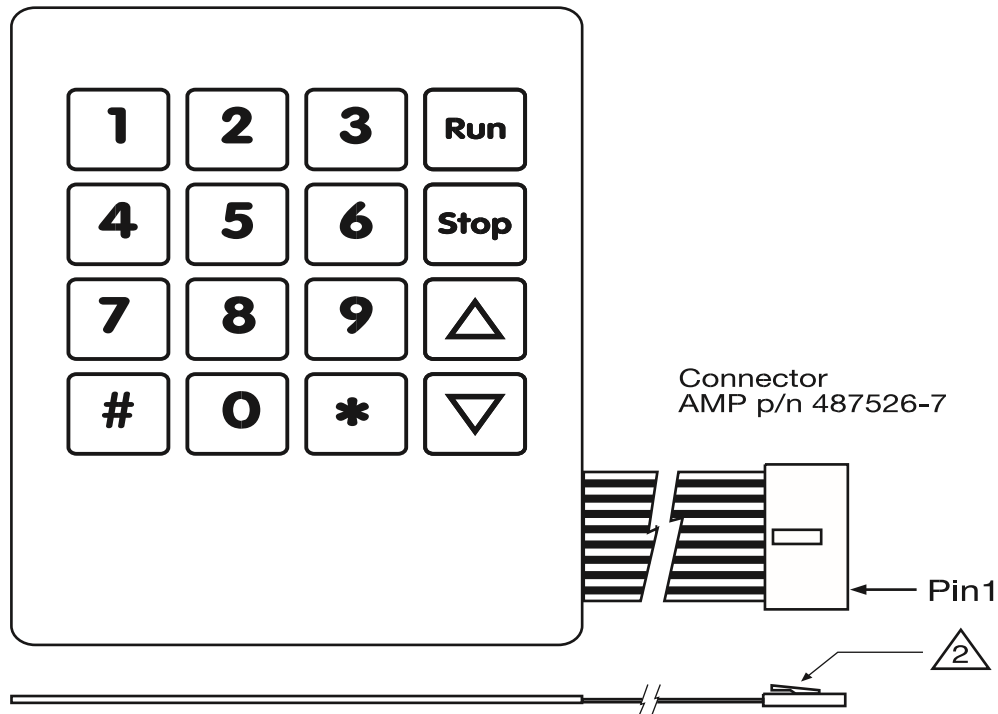


Notes:

1. Make sure to indicate pin 1 position

2. Indicate Connector Latch or Polarity orientation (if present.)



16 Button
MATRIX ARRAY
Membrane Switch

Pin Out Schematic
Sample Drawing
6-Dec-2006